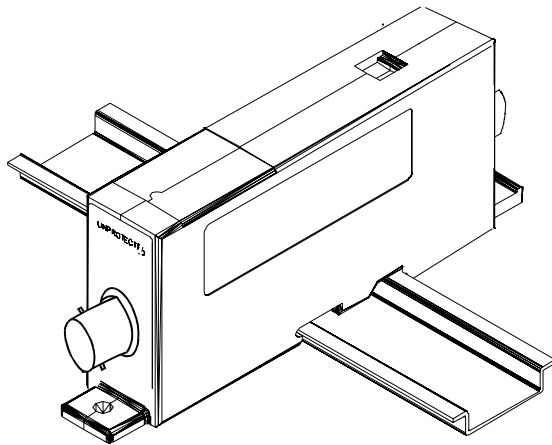




## Zoned Surge Protection Products

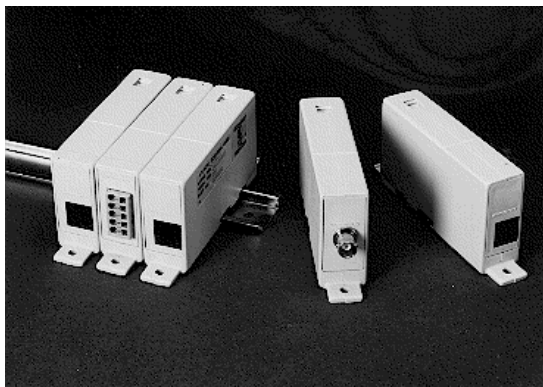
*Proven to cut downtime and replacement part costs*

- PRODUCT SERIES:** ZONEBARRIER: “The effective barrier between surges and sensitive I/O ports.”
- ATS ORDER #:** AT24534
- APPLICATION:** The AT24534 protects 10-Base-2 Ethernet interfaces from transients caused by direct or indirect lightning strikes.
- TECHNOLOGY:** High energy gas discharge tubes are combined with Silicon Avalanche Diodes and current limiting components to form three distinct stages.
- INSTALLATION:** This ZoneBarrier can be mounted on a standard 35mm DIN rail, or to any flat surface for standalone applications.



### SPECIFICATIONS

- Circuit Type:** 3 Stage Series Hybrid
- Lines Protected:** 1
- Connectors:** BNC
- Surge Capacity:** 10,000A 8/20 impulse per line
- Clamp Voltage:** 30V @ 2kA 8/20
- Rated Voltage:** 8V
- Max. Leakage Current:** 5  $\mu$ A @ rated Voltage
- Max Inline Resistance:** <0.5 Ohms
- Max Frequency:** >150 MHz
- Case Dimensions:** 5.1” x 2.3” x 1.0” overall



### **ZoneBarrier Series Communication/Data Line Protection**

- Over 40 models covering all applications.
- Mix and match any combination of Telco, Data and LAN protection  
UL497A, UL497B, UL certified Cat 5.
- Mounts on a rail for multipoint protection.
- Fixes individually to any flat surface, for single port protection.

ATS, Accurate Technology Services Inc., PO Box 5182 • Concord, NC 28027 • Toll Free: 877-SRG-SRVC (774-7782)

email: sales@accutechsrc.com • Tel: 704-932-7258 • Fax: 704-932-5171 • Web: www.accutechsrc.com