

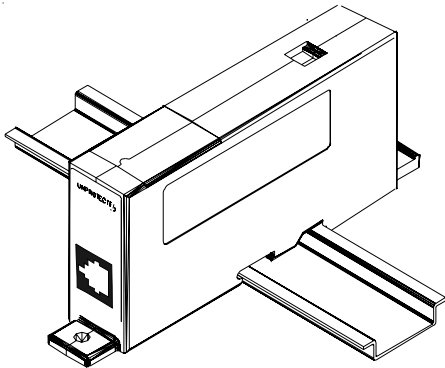


Zoned Surge Protection Products

Proven to cut downtime and replacement part costs

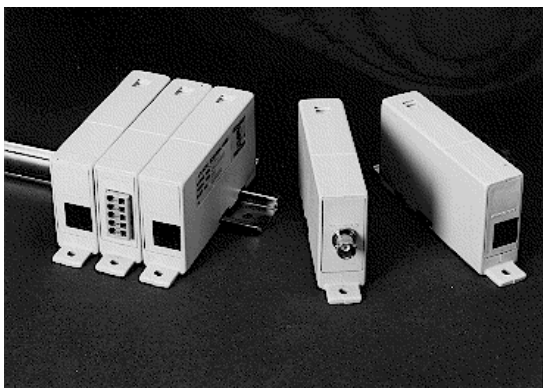
- PRODUCT SERIES:** ZONEBARRIER: “The effective barrier between surges and sensitive I/O ports.”
- ATS ORDER #:** AT24549
- APPLICATION:** Protects ISDN communication links from transients caused by direct or indirect lightning. Used between the network and the NT1 unit, 2 wire twisted pair.
- TECHNOLOGY:** Solid state sidactors are combined with fast acting fuses and resistors to form three distinct stages of protection.
- INSTALLATION:** ZoneBarriers are mounted on a standard 35mm DIN rail, or to any flat surface for standalone applications.
- APPROVAL:** UL497A listed, tested to IEC801-5, CCITT K17

UL 497A Listed



SPECIFICATIONS

- Circuit Type:** 3 Stage Series Hybrid
- Lines Protected:** 2
- Connectors:** RJ11
- Surge Capacity:** 1.9kA 8/20 impulse per line
- Clamp Voltage:** 105V @ 1kA 8/20
- Rated Voltage:** 75Vdc
- Max. Frequency:** >80MHz
- Max. Inline Resistance:** 22Ω
- Case Dimensions:** 5.1” x 2.3” x 1.0” overall



ZoneBarrier Series Communication/Data Line Protection

Over 40 models covering all applications.

Mix and match any combination of Telco, Data and LAN protection

UL497A, UL497B, UL certified Cat 5 dependent on application.

Mounts on a rail for multipoint protection.

Fixes individually to any flat surface, for single port protection.