

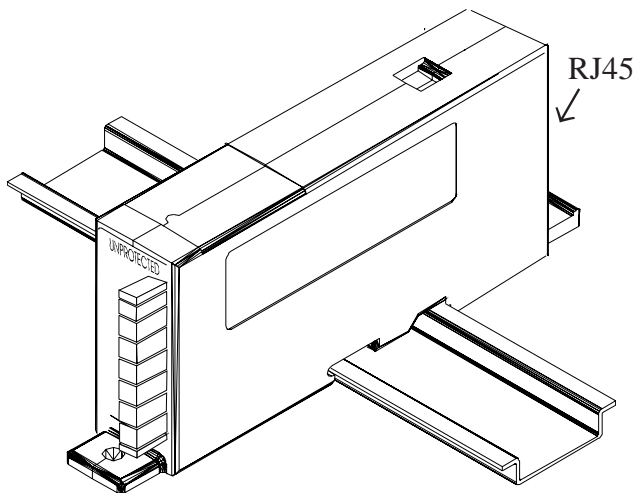


Zoned Surge Protection Products

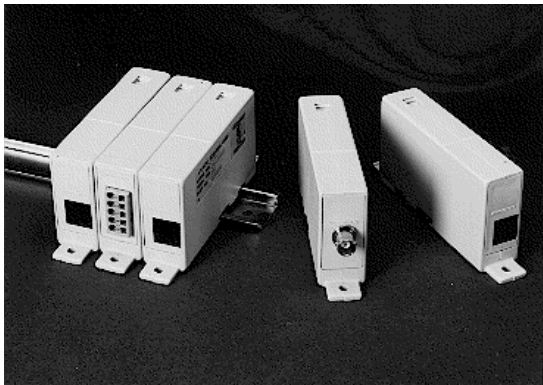
Proven to cut downtime and replacement part costs

PRODUCT SERIES: ZONEBARRIER: "The effective barrier between surges and sensitive I/O ports."
ATS ORDER #: AT24551
APPLICATION: Protects 100BaseT communication links from transients caused by direct or indirect lightning.
TECHNOLOGY: High energy Metal Oxide Varistors (MOVs) are combined with a double network of ultra fast diodes and silicon avalanche diodes, to form three distinct stages of protection.
INSTALLATION: This ZoneBarrier can be mounted on a standard 35mm DIN rail, or to any flat surface for standalone applications.

SPECIFICATIONS:



Circuit Type: 3 Stage Series Hybrid
Lines Protected: Eight (8)
Connectors: RJ45 / 110 Block
Surge Capacity: 1kA per wire
Clamp Voltage: 10V
Rated Voltage: 5V
Max. Frequency: 155MHz
Attenuation: Better than -0.3dB at 100MHz
N.E.X.T.: Worst pair, better than -43dB at 100MHz
Case Dimensions: 5.1" x 2.3" x 1.0" overall



ZoneBarrier Series Communication/Data Line Protection

Over 40 models covering all applications.
Mix and match any combination of Telco, Data and LAN protection
UL497A, UL497B, UL certified Cat 5.
Mounts on a rail for multiport protection.
Fixes individually to any flat surface, for single port protection.