

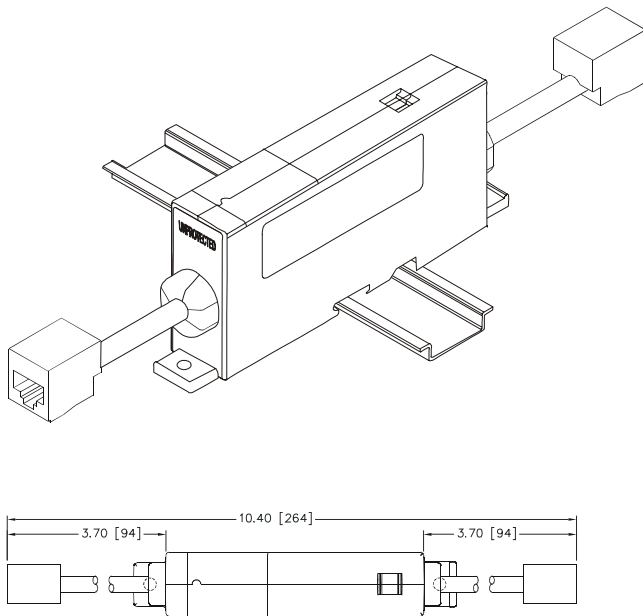


Zoned Surge Protection Products

Proven to cut downtime and replacement part costs

Category 6 Universal LAN Protectors

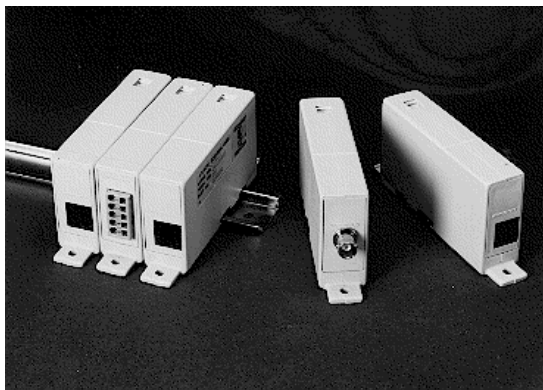
PRODUCT SERIES: ZONEBARRIER: “The effective barrier between surges and sensitive I/O ports.”
ATS ORDER #: AT24563FF
APPLICATION: Protects 1,000BaseT, 100BaseT, 100VG, 10BaseT and Token Ring from transients caused by direct or indirect lightning.
TECHNOLOGY: High energy Metal Oxide Varistors (MOVs) are combined with a double network of ultra fast diodes and silicon avalanche diodes, to form three distinct stages of protection.
INSTALLATION: See individual installation instructions.



SPECIFICATIONS:

Circuit Type: 3 Stage Series Hybrid
Lines Protected: Eight (8) per port
Connectors: RJ45 (Pins 1 - 8)
Surge Capacity: 1kA per wire
Clamp Voltage: 10V
Rated Voltage: 2kV/1kA per wire (IEC 801-5)
Max. Frequency: 350MHz per pair
Attenuation: Better than -0.3dB at 350MHz
N.E.X.T.: Worst pair, better than -38dB at 250MHz
Return Loss: Better than -10dB at 250 MHz

Clamping Voltage measured between a pair during the common mode application of 2kV (1.2-50 μ s) 1kA (8/20 μ s) waveform



ZoneBarrier Series Communication/Data Line Protection

Over 40 models covering all applications.
Mix and match any combination of Telco, Data and LAN protection
UL497A, UL497B, UL certified Cat 5.
Mounts on a rail for multipoint protection.
Fixes individually to any flat surface, for single port protection.

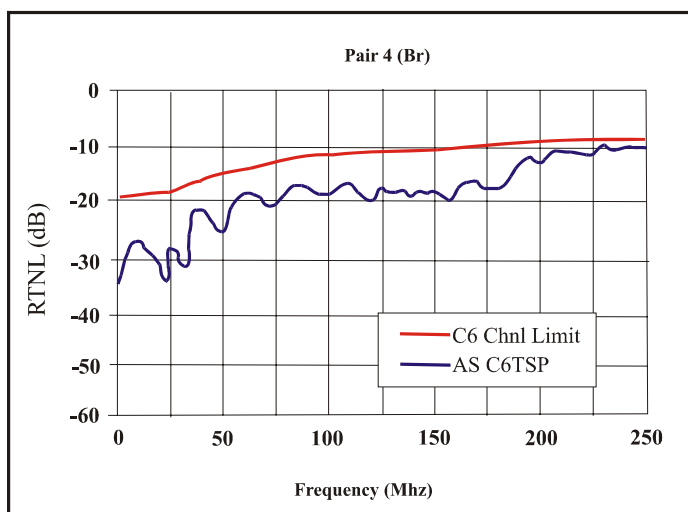
Features

- ◆ Independently Certified CATEGORY 6 Transmission
- ◆ UL94-5V Flame Retardant Material
- ◆ TIA/EIA Compliant per specification 568-B.2-1
- ◆ Modular: Port-by-Port Protection

Ordering Information

Order #	Description
24563FF	ZoneBarrier 8 Wire Category 6 Protector, RJ45

TYPICAL RETURN LOSS



TYPICAL N.E.X.T.

