



Zoned Surge Protection Products

Proven to cut downtime and replacement part costs

PRODUCT SERIES: ZONEBARRIER: “The effective barrier between surges and sensitive ports.”

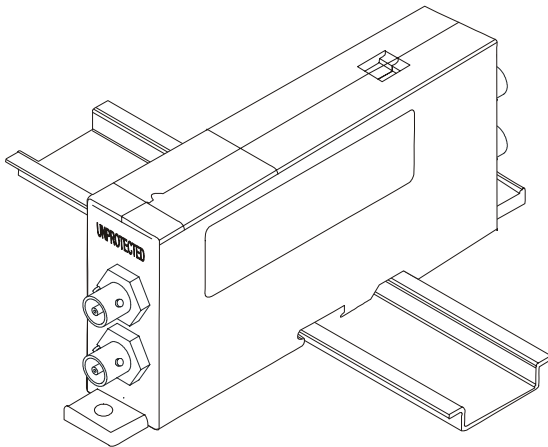
ATS ORDER #: AT91349

APPLICATION: The AT91349 protects high speed digital interfaces from transients caused by direct or indirect lightning strikes.

TECHNOLOGY: Silicon Avalanche Diodes, Sidactors and a gas tube, are combined with current limiting components to form three distinct stages of protection.

INSTALLATION: This ZoneBarrier can be mounted on a standard 35mm DIN rail, or to any flat surface for standalone applications.

SPECIFICATIONS



Circuit Type: 3 Stage Series Hybrid

Lines Protected: 4 + Shield

Connectors: Twin ax UG-1837

Surge Capacity: 10,000A 8/20 μ s impulse per line
10,000A 8/20 μ s shield to ground

Let-through Voltage: 19V @ 5kV (10/700.s) CCITT K17

Clamp Voltage: 20V @ 2kA, 8/20 μ s

Normal Working Voltage: 12V

Max. Working Voltage: 16V

Max. Leakage Current: 5 μ A @ rated Voltage

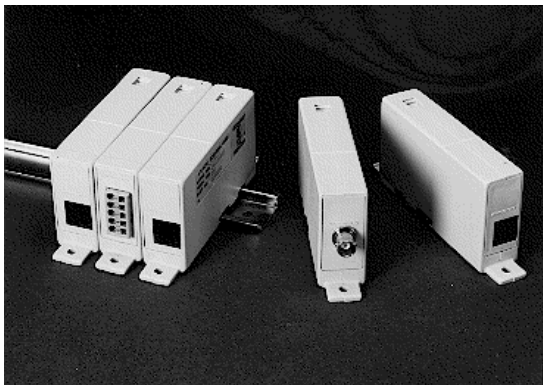
Max Inline Resistance: 4.3 Ohms

Case Dimensions: 5.1" x 2.3" x 1.0" overall

Attenuation: -0.207dB @ 1.54MHz
-0.223dB @ 2.48MHz

Band Width: -3dB @ 50MHz in 50 Ohm system

Tested per: ANSI/IEEE C62.45, IEC 61000-4-5 (IEC 801-5), CCITT K17



ZoneBarrier Series Communication/Data Line Protection

Over 40 models covering all applications.
Mix and match any combination of Telco, Data and LAN protection
UL497A, UL497B, UL certified Cat 5.
Mounts on a rail for multipoint protection.
Fixes individually to any flat surface, for single port protection.